

# Type D69

## 14mm Varistor

### Radial Leaded



www.optifuse.com (800) 621-0326

### 14mm Varistor Parts list/Specifications

(14mm Nom. Disk size)

Optifuse Style Number	Recognitions To Safety Agency Standards						Maximum Ratings						Electrical Characteristics						Mechanical Dimensions	
							Continuous		Transient				Varistor Voltage @ 1 mA DC		Max		Typical Cap	Y		
							Applied Voltage		Energy		Peak Current 8 X 20 μsec				Clamping Voltage (@ Test Current) (8 x 20 usec)				1 V ms @ 1kHz	
									10 x 1000 μsec	8 x 20 μsec	1	2	Vmin	Vmax						
							(A)	(B)	(C)	(D)	(E)	(F)	(AC)	(DC)	(J)	(J)	(A)	(A)	(V)	(V)
D6921ZOV110RA04	X				X		11	14	5.2	N/A	2000	1000	16	20	36	10	18000	0.072 [1.83]	0.161 [4.09]	
D6921ZOV140RA04	X				X		14	18	6.3	N/A	2000	1000	20	24	43	10	15000	0.081 [2.06]	0.165 [4.19]	
D6921ZOV170RA05	X				X		17	22	7.8	N/A	2000	1000	24	30	53	10	10000	0.092 [2.34]	0.170 [4.32]	
D6921ZOV200RA06	X				X		20	26	9.5	N/A	2000	1000	30	36	65	10	14447	0.065 [1.65]	0.176 [4.47]	
D6921ZOV250RA07	X				X		25	31	11	N/A	2000	1000	35	43	77	10	12225	0.071 [1.80]	0.182 [4.62]	
D6921ZOV300RA09	X				X		30	38	14	N/A	2000	1000	42	52	93	10	10144	0.079 [2.00]	0.190 [4.83]	
D6921ZOV350RA10	X				X		35	45	16	N/A	2000	1000	50	62	110	10	8514	0.088 [2.24]	0.199 [5.05]	
D6921ZOV400RA12	X				X		40	56	20	N/A	2000	1000	61	75	135	10	3285	0.066 [1.68]	0.211 [5.36]	
D6921ZOV500RA06	X				X		50	66	28	N/A	6000	5000	74	90	147	50	2829	0.055 [1.40]	0.174 [4.42]	
D6921ZOV600RA06	X				X		60	81	36	N/A	6000	5000	90	110	175	50	2319	0.060 [1.52]	0.178 [4.52]	
D6921ZOV750RA06	X				X		75	102	44	N/A	6000	5000	108	132	210	50	1933	0.065 [1.65]	0.184 [4.67]	
D6921ZOV950RA06	X				X		95	127	53	N/A	6000	5000	135	165	255	50	1019	0.059 [1.50]	0.191 [4.85]	
D6921ZOV121RA09	X	X	X		X		120	160	52	N/A	6000	5000	170	207	320	50	1019	0.066 [1.68]	0.201 [5.11]	
D6921ZOV131RA09	X	X	X	X	X	X	130	175	70	70	6500	5000	184	224	340	50	890	0.068 [1.73]	0.204 [5.18]	
D6921ZOV141RA09	X	X	X	X	X	X	140	180	78	78	6500	5000	198	242	360	50	825	0.072 [1.83]	0.208 [5.28]	
D6921ZOV151RA09	X	X	X	X	X	X	150	200	84	84	6500	5000	212	259	395	50	756	0.076 [1.93]	0.212 [5.38]	
D6921ZOV181RA09	X	X	X	X	X	X	180	230	100	100	6000	5000	255	311	465	50	648	0.081 [2.06]	0.223 [5.66]	
D69ZOV211RA65	X	X	X	X	X	X	210	270	120	120	6000	4500	297	363	545	50	550	0.091 [2.31]	0.239 [6.07]	
D69ZOV231RA70	X	X	X	X	X	X	230	300	135	135	6000	4500	326	397	595	50	504	0.097 [2.46]	0.242 [6.15]	
D69ZOV251RA72	X	X	X	X	X	X	250	330	145	145	6000	4500	354	432	650	50	465	0.103 [2.62]	0.249 [6.32]	
D69ZOV271RA75	X	X	X	X	X	X	270	360	160	160	6000	4500	382	466	710	50	432	0.110 [2.79]	0.257 [6.53]	
D69ZOV301RA80	X	X	X	X	X	X	300	390	175	175	6000	4500	425	518	790	50	386	0.117 [2.97]	0.268 [6.81]	
D69ZOV321RA90	X	X	X	X	X	X	320	420	190	190	6000	4500	453	553	850	50	363	0.153 [3.89]	0.276 [7.01]	
D69ZOV361RA85	X	X	X	X	X	X	360	470	205	205	6000	4500	522	638	960	50	313	0.202 [5.13]	0.281 [7.14]	
D69ZOV391RA85	X		X	X	X	X	390	505	215	215	6000	4500	552	674	1025	50	297	0.167 [4.24]	0.291 [7.37]	
D69ZOV421RA90	X	X	X	X	X	X	420	560	225	225	6000	4500	594	725	1120	50	275	0.177 [4.50]	0.313 [7.95]	
D69ZOV461RA100	X	X	X	X	X	X	460	615	230	230	6000	4500	651	795	1240	50	251	0.189 [4.80]	0.322 [8.18]	
D69ZOV481RA105	X	X	X	X	X	X	480	640	235	235	6000	4500	679	829	1300	50	242	0.194 [4.93]	0.336 [8.53]	
D69ZOV511RA110	X	X	X	X	X	X	510	675	240	240	6000	4500	722	881	1350	50	227	0.201 [5.11]	0.347 [8.81]	
D69ZOV551RA115	X	X	X	X	X	X	550	700	255	255	6000	4500	778	950	1400	50	211	0.216 [5.49]	0.362 [9.19]	
D69ZOV581RA120	X	X	X	X		X	580	735	265	265	6000	4500	821	1002	1500	50	199	0.224 [5.69]	0.373 [9.47]	
D69ZOV621RA130	X	X	X	X		X	620	800	290	290	6000	4500	877	1071	1650	50	186	0.231 [5.87]	0.388 [9.86]	
D69ZOV681RA150	X	X	X	X		X	680	860	310	310	6000	4500	962	1175	1800	50	170	0.247 [6.27]	0.411 [10.44]	
D69ZOV751RA165	X		X	X		X	750	900	350	350	6000	4500	1062	1300	2100	50	151	0.247 [6.27]	0.411 [10.44]	
D69ZOV102RA220	X	X	X	X		X	1000	1200	510	510	6000	4500	1414	1728	2700	50	115	0.364 [9.25]	0.531 [13.49]	

**Notes:**

- Maximum transient rating specified in this table are valid
- A = UL1449 File E86730 – Transient Surge Suppression
- B = UL1414 File E38785 – Across – The Line Applications
- C = CSA C22.2 File LR33468
- D = VDE/CECC 42000/42201 & IEC 1051
- E = UL497B – File E180012
- F = SEV – 96.7 70250.01

Note: All specifications subject to change without notice.

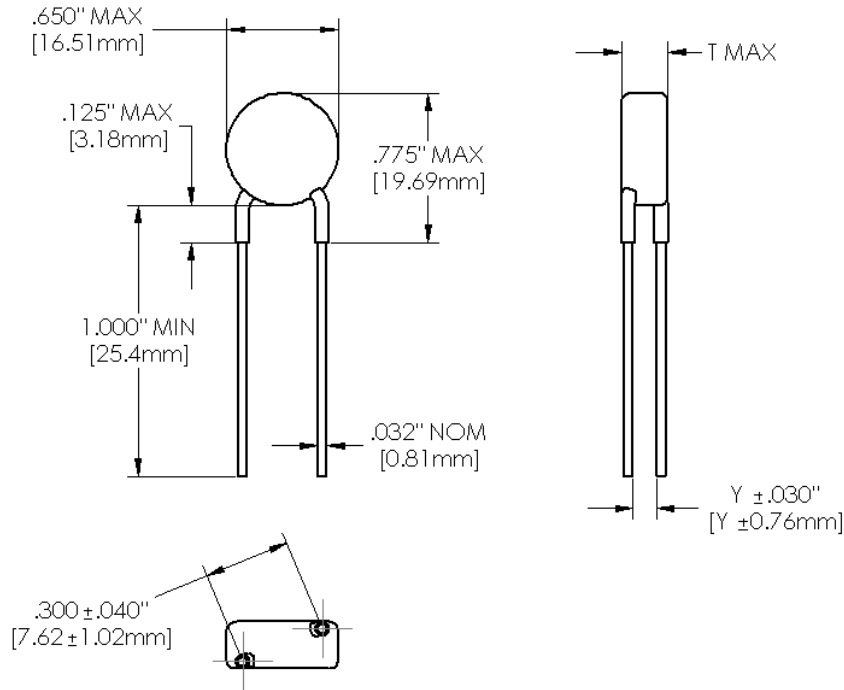
# Type D69 14mm Varistor Radial Leaded



www.optifuse.com

(800) 621-0326

## Mechanical Dimensions: Inches [mm]



## Thermal Specifications:

Minimum Operating Temperature:	-40° C
Maximum Operating Temperature:	85° C
Varistor Voltage Temperature Coefficient:	-0.05° C
Minimum Storage Temperature:	-50° C
Maximum Storage Temperature:	125° C
Current/Energy Derating Above 85° C:	-2.5° C

### Warning:



-Operation beyond the specified maximum ratings or improper use may result in damage and possible electrical arcing and/or flame.  
-Varistors are intended for occasional overcurrent protection. Application for repeated overcurrent condition and/or prolonged trip are not anticipated.  
-Avoid contact of Varistors with chemical solvent. Prolonged contact will damage the device performance.